

Airpura

AIR PURIFIERS

T600

Tobacco Smoke

Remove the 4000 Chemicals, Tars and Gases found in Tobacco Smoke

The Airpura T600

Specially designed to deal with tobacco smoke, the T600 features a special TarBarrier pre-filter combined with a deep carbon bed to adsorb the 4000 chemicals and gases found in tobacco smoke.

Tobacco smoke

Contains over 4000 harmful chemicals and gases including benzene, toluene, formaldehyde and at least 60 carcinogens. **The 26lbs Carbon Bed** adsorbs these chemicals.

Tar

Emitted from smoking cigars and cigarettes, it contributes to the transmission of the harmful effects of tobacco smoke. **The TarBarrier filter** traps these tars in the same way as a cigarette filter and removes them from the air stream.

ETS (environmental tobacco smoke)

Recognized as a serious health hazard for non-smokers as well as smokers, the T600 will reduce its harmful effects.

Effective for up to 2000 square feet

Recycles the air every 30 minutes.

An excellent choice for:

Dedicated smoking areas	Homes
Restaurants	Bars
Public spaces	Waiting rooms

Suspension brackets available

To position the unit high on a wall or column.



The Airpura T600

Available in
White / Black / Cream

The Airpura Limited Warranty
5 years parts 10 years labor

Filter Life

Carbon filters should be changed up to every 2 years

TarBarriers need to be changed at least every 4 weeks in public areas

HEPA Barrier filters should be changed at the same time as the carbon filter. For private home use change intervals will usually be less frequent

Clean your air and reduce the dangers of tobacco smoke

Technical Specifications

Tobacco smoke odor, and chemical control

26 lbs activated carbon
13" x 13" x 7.5"

Carbon bed

3" deep x 570 sq" surface

Tar removal

Special tar-barrier filter
570 sq in x 1 in deep

Particle suppression

Post particle filter
306 sq in

Air Flow 560 cfm

More cfm than any other compact unit available

Housing

Powder coated steel

Size

23" x 15"

Weight

49 lbs total

Voltage Options

115 or 220 volts

Watts

120 on high 40 on low

Sound Level

28.1 db on low (at 6 feet)
62.3 db on high (560 cfm)
(Room level 25.1 db)

ETL Certified

Conforms to
CSA C22.2 no 113
ANSI / UL 507

Your Airpura Dealer

Specially designed for tobacco smoke

Large carbon bed

The Airpura T600 features a 26 lb 3 inch deep activated carbon bed specially designed to adsorb the 4000 harmful and carcinogenic chemicals and gases found in tobacco smoke

TarBarrier filter

Special filter designed to trap the tars in tobacco smoke

Powerful motor/fan

560 CFM (rated) can recycle the air in up to 2000 sq ft in approximately 30 minutes to keep refreshing the air and remove harmful smoke and odors

Wall brackets (Optional)

Wall brackets are available to mount the unit in an elevated position

Filtration System

TarBarrier pre-filter

Traps tobacco tars. Acts like a cigarette filter

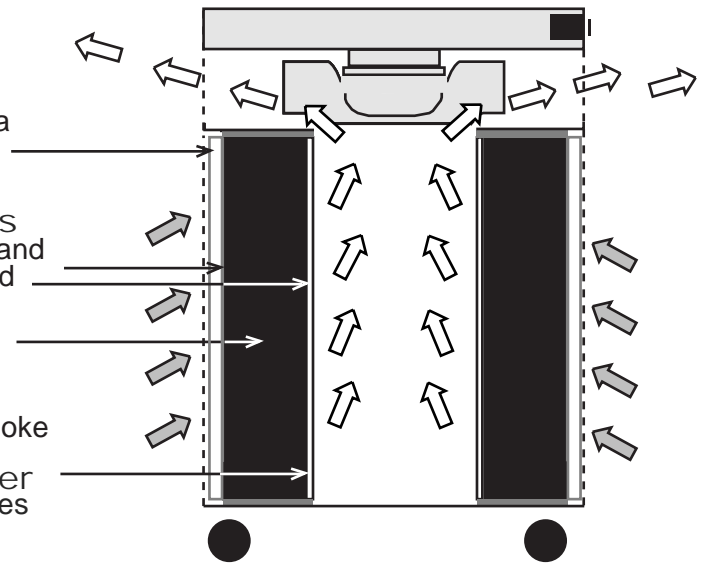
2 Micro-Suppress filters

Suppress bacteria, antigens and pathogens around carbon bed

26 lb Carbon filter

3" deep carbon bed ensures effective adsorption of the 400 chemicals in tobacco smoke

HEPA-Barrier post filter traps carbon dust and particles



Unique Features

- **All metal housing** ensures no plastic vapors are emitted
- **Motor out of the air flow.** Most air purifiers blow the clean air over the motor and pick up impurities
- **Electrical parts in a sealed chamber out of the airflow.** Increases safety and prevents off-gassing
- **Pressure sealed filter chamber** prevents leakage of polluted air around filters
- **Felt gaskets seal the filter chamber.** Maximize filtration with no rubber off-gassing found with other filters
- **Clean modern appearance** fits in any decor
- **Low noise level** (at 6 feet) 28.1db on low 62.3db on high (560 cfm)
- **Unimpeded airflow** simple and direct internal airflow avoids the air turbulence, inefficiency and noise associated with more convoluted systems

Filter out harmful second hand tobacco smoke